

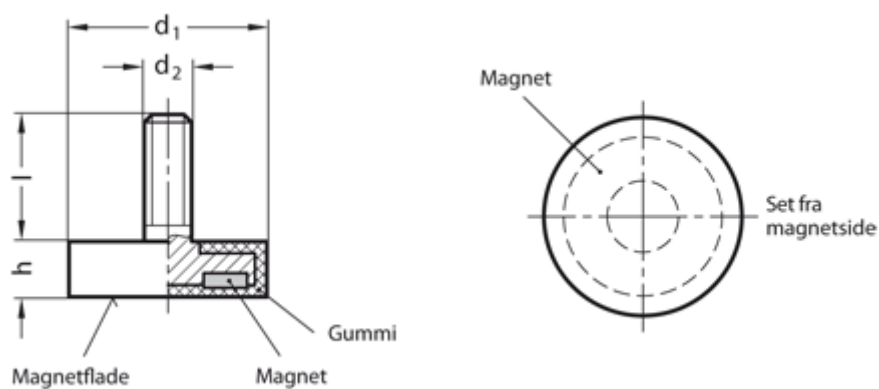
# Data Sheet



Article number: 201229045D

Description: E+G Magnet - female thread GN 51.3-ND-66-M8-SW  
ND Neodym, iron, boron, 80°C, 180N

## Measures



$d_1$  = 66

$d_2$  = M8

$h$  = 8.5

Holding force N = 180

$l$  = 15

Material = ND Neodym, jern, bor - 80° C